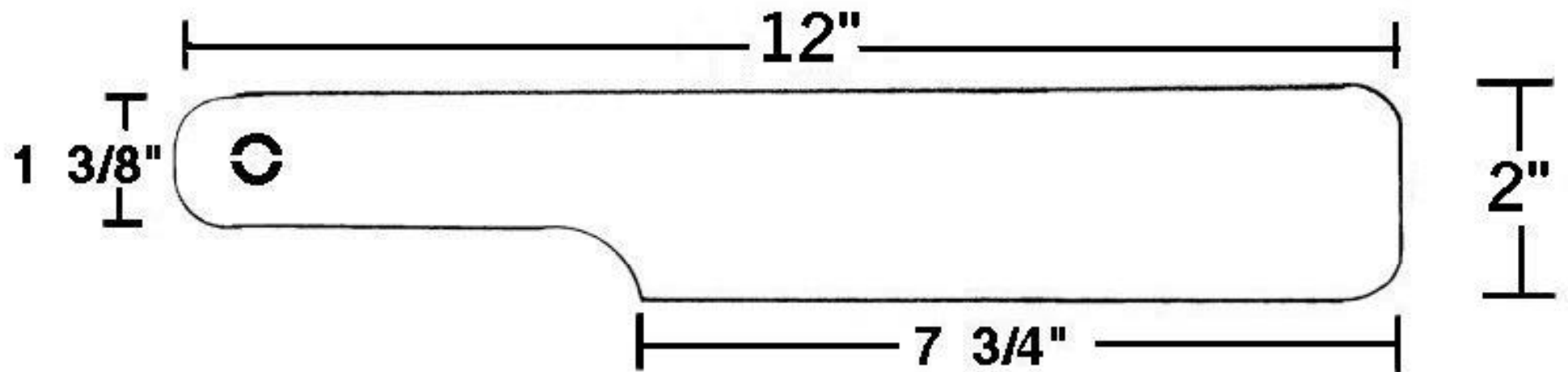
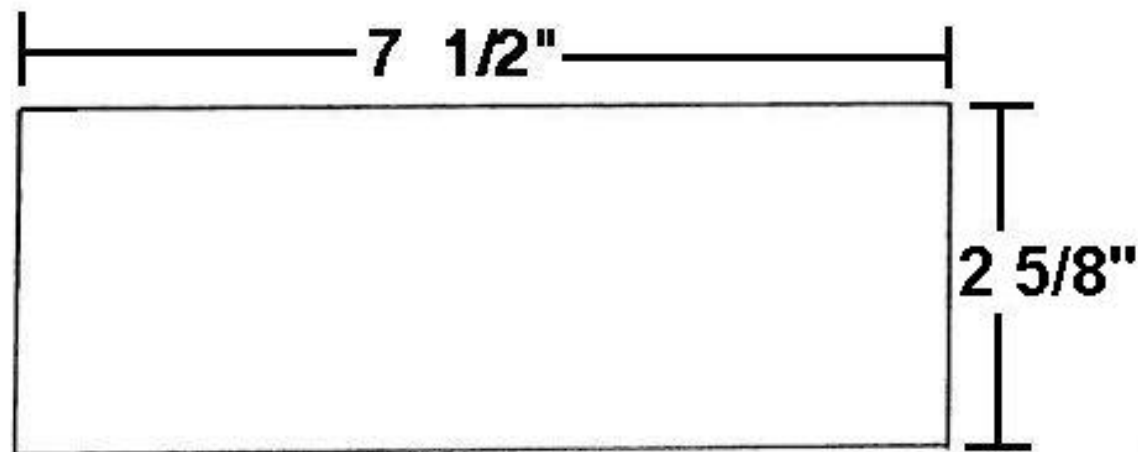


Vanguard Tiller Fitting



Sides 3/16" Stainless (2 needed)
Drill and tap holes for bolts to fit



Top 1/4" Stainless
Adjust width to fit tiller stock